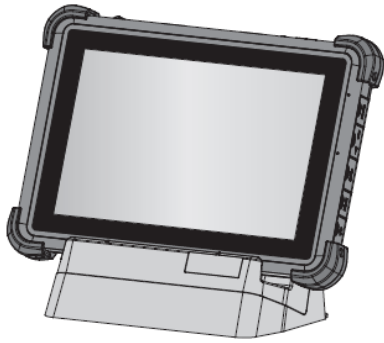


Desktop Docking

- TB162 -



Package

Please make sure the following contents are in the gift box. If something is missing or damaged, please contact your unitech representative.

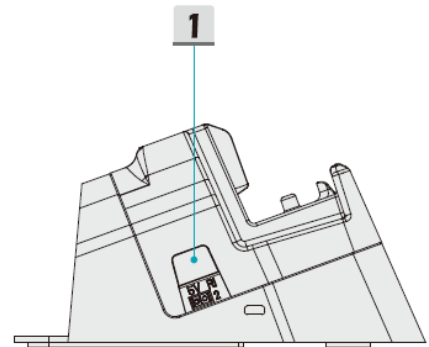
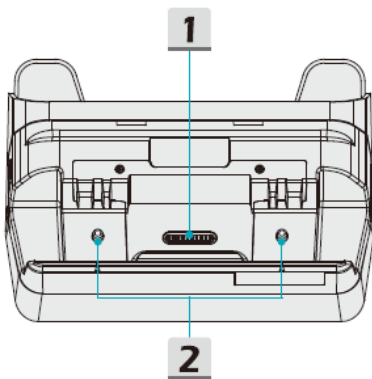
The basic package contents

- TB162 Desktop Docking

Quick Start Guide

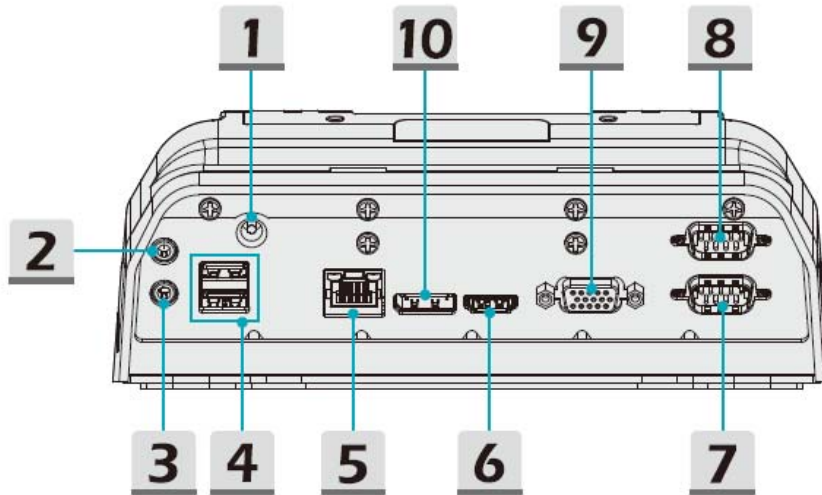
V1.0

Product overview



1	Dock Connector Connect with external Docking Station to increase more I/O functions.
2	Boss Hole Used for locking the boss hole of the dock.

1	RS-232 Port 2 (Function Switch) To switch between 5V and RI (Ring Indicator) function.
---	--



1	DC-in Jack It is an electrical connector for supplying direct current (DC) power.
2	Microphone Used for an external microphone.
3	Line Out A connector for speakers.
4	USB 2.0 / USB 3.0 (optional)
5	RJ-45 Connector The Ethernet connector, with optionally supported transmitting rate of 10/100/1000 megabits per second, is used to connect a LAN cable for network connection.
6	HDMI
7	RS-232 Port 2 To connect other device function.(switch RI to 5V)
8	RS-232 Port 1 To connect other device function.
9	VGA
10	Display Port